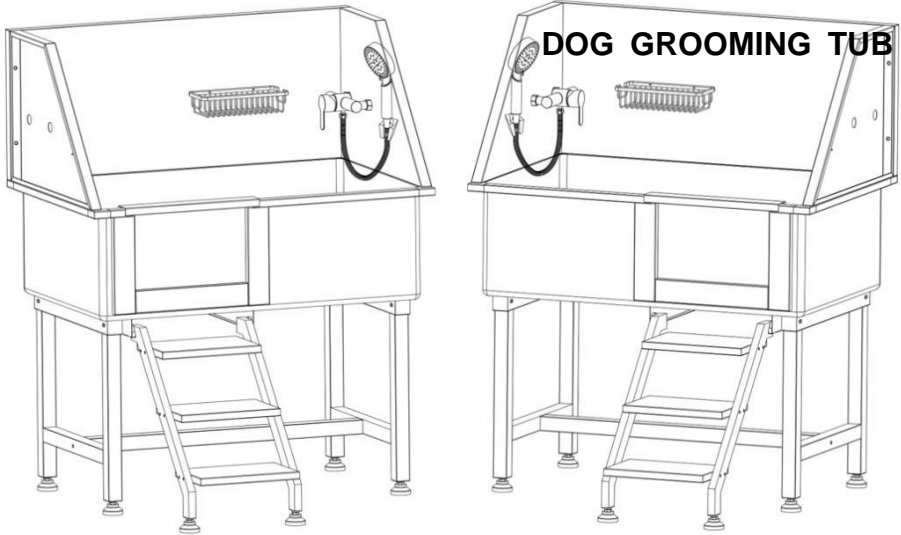


MODEL: K1E01017/K1E01018



IMPORTANT SAFEGUARDS



WARNING: Read and understand this entire manual before operating or servicing this product. Failure to follow these warnings and instructions can cause personal injury or damage to valuable property.

- Avoid children using grooming tub. And this product is not a toy. Do not allow children to play.
- Keep away from sharp points, blades and other items.
- Assembly precautions
 1. Assemble only according to these instructions. Improper assembly can create hazards.
 2. Wear ANSI-approved safety goggles and heavy-duty work gloves during assembly.
 3. Keep assembly area clean and well-lit.
 4. Keep bystanders out of the area during assembly.
 5. Do not assemble when tired or when under the influence of alcohol,

drugs or medication.

6. Product capabilities apply to properly and completely assembled product only.

7. For additional information regarding the parts listed in the following pages, please refer to the Assembly Diagram of this manual. Unwrap and separate all parts in a clean work area. Please keep small spare parts out of children's reach.

SAVE THESE INSTRUCTIONS

PREPARATIONS BEFORE INSTALLATION

1.Recommended Tools:

Phillips screwdriver, M4 wrench, Spirit level,

2.Necessary safety equipment:

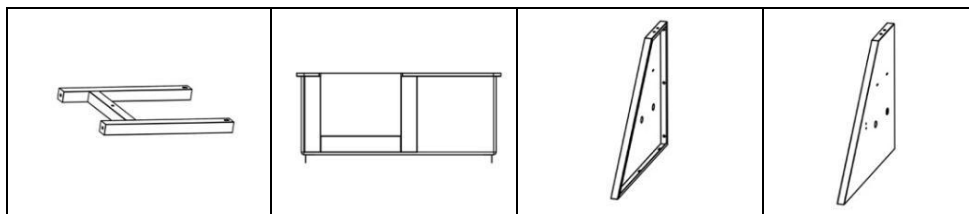
Gloves,goggles

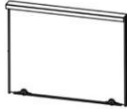


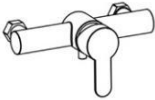




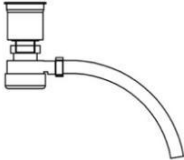


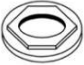








Caution:Before installing the product, wear gloves and goggles to avoid possible physical damage during installation.




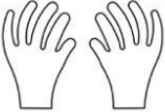




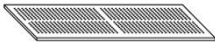

INSTRUCTIONS

Thank you very much for choosing this pet bathtub. Please read all the instructions before using it. The information will help you achieve the best possible results.

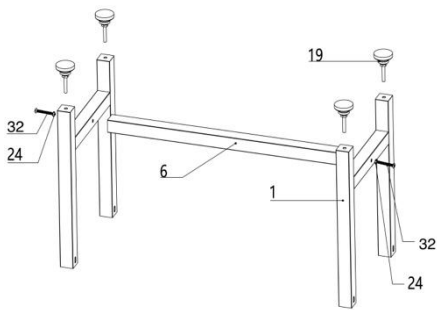
Parts List:



2 pcs	1 pc	1 pc	1 pc
1: H rack	2: Tub	3: Right side panel	4: Left side panel
			
1 pc	1 pc	1 pc	1 pc
5: Door (Already Installed to the tub)	6: Horizontal tube	7: Back panel	8: Faucet switch
			
1 pc	1 pc	1 pc	2 pcs (600mm)
9: Storage basket	10: Shower head	11: Shower hose	12: Inlet pipe
			
1 pc	4 pcs (M4*16mm)	4 pcs (M4)	2 pcs
13: Strainer	14: Screw	15: Flange nut	16: Nut
			
1 pc	1 pc	6 pcs	2 pcs
17: Shower bracket	18: Comb	19: Adjustable foot	20: Play ball
			

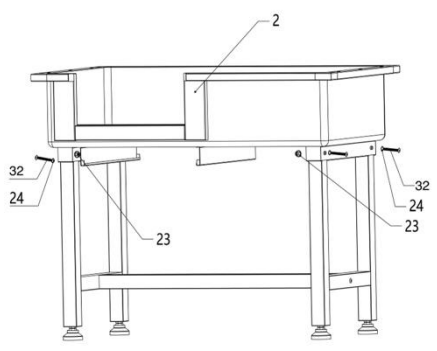
14 pcs (M6*16mm)	12 pcs (M6*35mm)	4 pcs (M8)	6 pcs
21: Screw	22: Screw	23: Hex flange nut	24: Washer
			
3 pcs	2 pcs	1 pc	1 pc
25: Stair board	26: Nut	27: Sealing tape	28: Gloves
			
1 pc	2 pcs	2 pcs	6 pcs (M8*50mm)
29: Wrench	30: Ladder rod	31: Washer	32: Screw
			
1 pc	2 pcs		
33: Water filter plate	34: Handle		

Installation steps



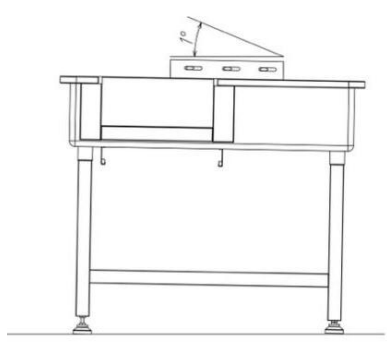
① Install the adjustable feet to the H rack, and fix the horizontal tube to the H rack

Caution: Ensure that the depth of adjustable feet is not less than 12mm and try to make the four adjustable feet screw in the same depth. Please tighten the spare nut during the installation and adjust it later.

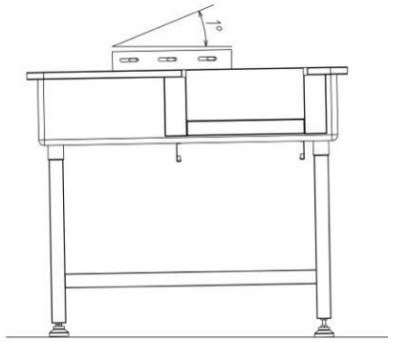


② Flip the bottom bracket and use screw, washer and flange nut to fix the bottom bracket and tub

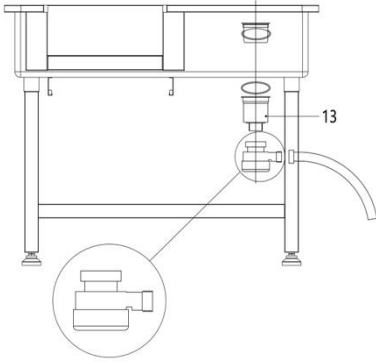
Left Door



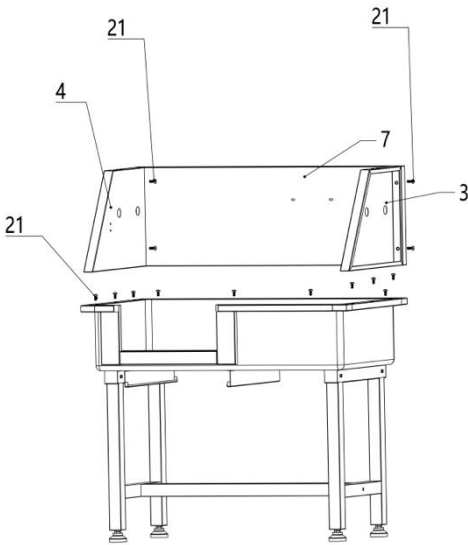
Right Door



③ Adjust the height of the feet to make sure the height of water outlet side is 1-2 degrees lower than the other side (use a spirit level to show).



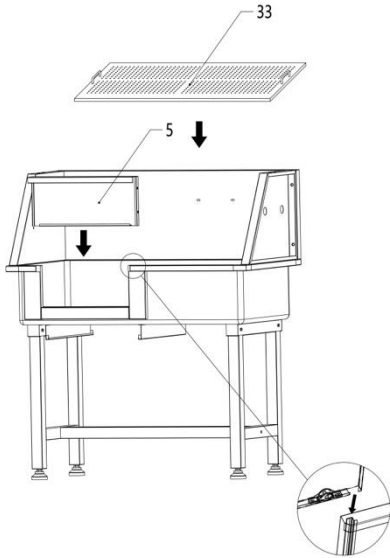
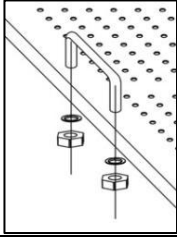
④ Install the strainer, ensure that the sealing ring is free of dislocation and wrinkles.
Caution: When installing, please pay attention to whether the sealing ring is placed correctly, avoid water leakage due to incorrect seal installation. And check whether the transparent cover of the drain is tightened.



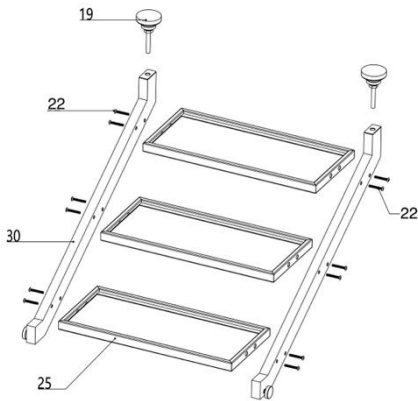
⑤ Use screw to fix the left and right sideboard, then use screw to fix the back panel, last to use screw to fix sideboard and back board



⑥ Install the handle to the water filter plate

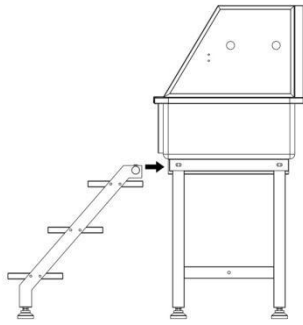


⑦ Install door and put the water filter plate to the tub

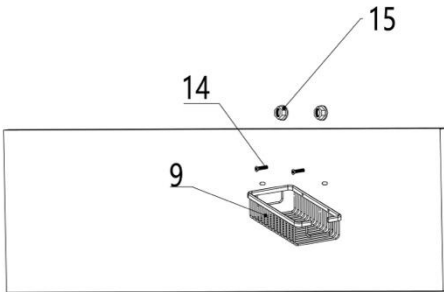


⑧ Use screw to fix the stair board and ladder rod, then install the adjustable feet on the bottom of the ladder rod.

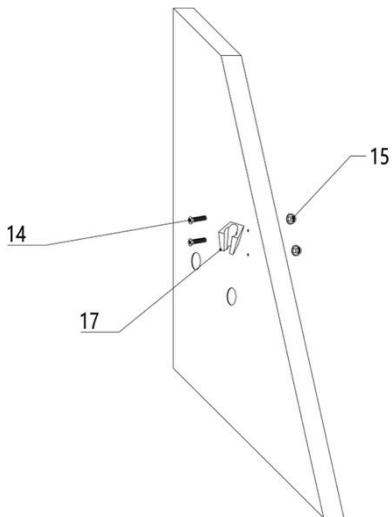
Caution: Ensure that the depth of adjustable feet is not less than 12mm and try to make the two adjustable feet screw in the same depth. and tighten the spare nut during the installation.



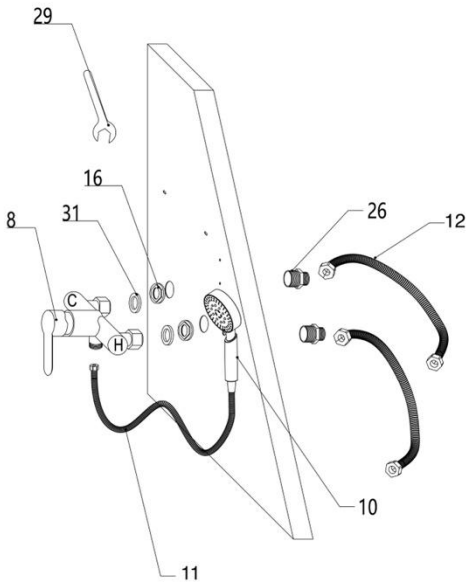
⑨ Install the stairs into the chassis rails



⑩ Use screw and hex flange nut to install the storage basket to the back panel



⑪ Use screw and hex flange nut to install the shower bracket to the right-side panel



⑪ Install hot and cold shower switch and water inlet.
Caution: Before you do this, make sure that your water source is on the left or right side of the bathtub, and select the direction of installation of the tap switch.

Step1: Pass straight all-copper connector through side panel (1/2" end facing outside), screw nut into the other end of the connector and use wrench screw down.

Step2: Align the faucet switch with the connector, then tighten the two nuts on the switch and note that the sealing ring inside the nut is intact.

Step3 : Connect the hose at the water inlet end and the shower hose at the faucet outlet. Also, when tightening the nut, pay attention to whether the sealing ring inside the nut is intact.

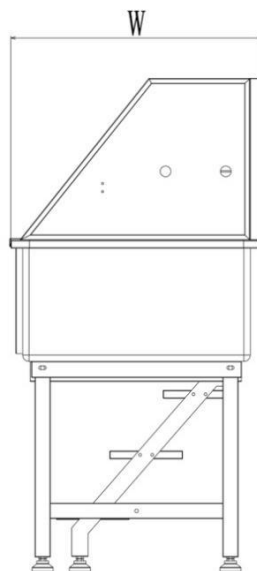
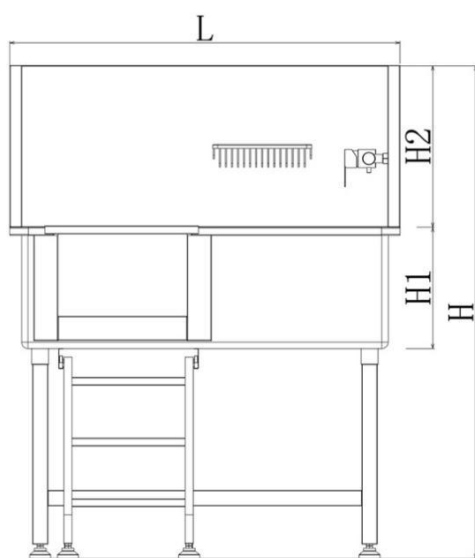
Step4 : The other end of the hose is connected to the water source, pay attention to the hot and cold water mark on the faucet switch, "H" represents hot water, and connect the hose on this side to the hot water source, while the other side is connected to the cold, also pay attention to whether the seal ring inside the hose end nut is intact.

Caution: The inlet hose is only 600mm long, if you want to lengthen it, please purchase it separately (Caliber:20mm)

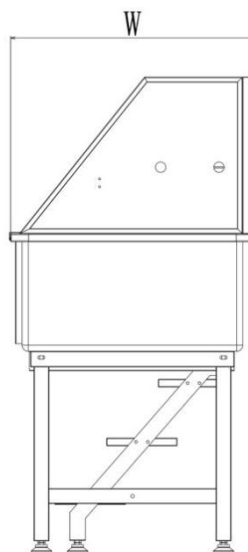
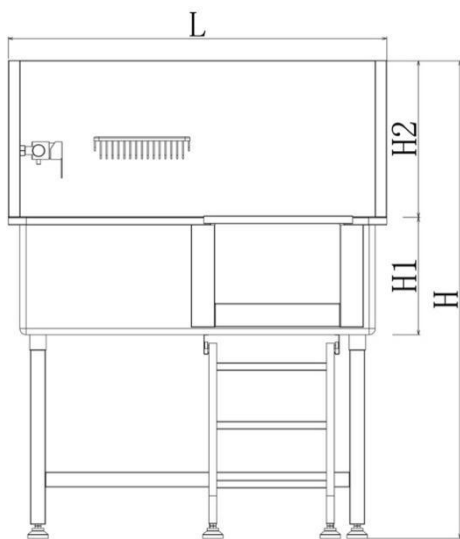
Caution: Optional use of sealing tape when installing the nut. It can make the installation more sealed and help prevent water leakage at the joint.

DIMENSIONS AND PARAMETERS

Left Door



Right Door

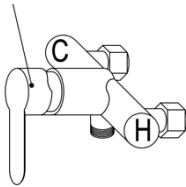


Model#	L(mm)	H(mm)	H1(mm)	H2(mm)	W(mm)	N.W. (kg)
K1E01017	965	1220	300	400	617	29.7
K1E01018	965	1220	300	400	617	29.7

Model#	Volume (CBM)	Loading Capacity (Kg)	Recommended pet (cm)
K1E01017	0.35	100	LxWxH:84x40x45
K1E01018	0.35	100	LxWxH:84x40x45

OPERATION

1. Make sure the water pipe connection is complete and the water is flowing normally. (Connect the hot and cold water pipes according to the hot and cold water signs of the faucet switch)



'C': Cold water; "H": Hot water

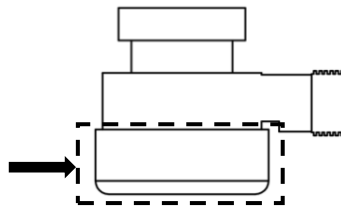
2. Pull out the stairs and open the door, let the pet walk into the bathtub by itself or hold the pet inside the tub by yourself, then close the door.
3. Start to bath.
4. After the bath, let the water out of the tub and take the animal out.
5. Clean the tub with a cloth.

MAINTENANCE

1. In between use, the tub should be cleaned with a soft cloth or sponge using a mild cleaning agent.
2. Pay attention to regularly clean the hair of

the drain to avoid clogging.

3. Please clean the transparent cover of the drain regularly. After disassembly like a nut, it can be easily cleaned, and be careful not to leave the seal ring when installing it back.



CARE INSTRUCTIONS

Don't put the bathtub on an uneven surface.

Don't drop or mistreat the bathtub.

Don't overload the scale. This will permanently damage it!

COMMON MALFUNCTIONS

If the faucet leaks, please check whether the waterproof rubber plug is installed. If it is damaged, it needs to be replaced in time.